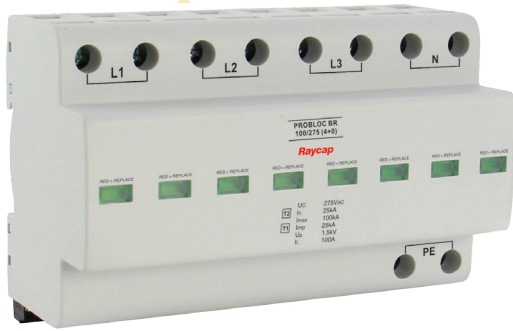


Compact Multi-pole SPD
ProBloc B(R) 100 (4+0)
 Class I • Class II • Type 1 • Type 2



Location of Use: Main Distribution Boards
 Network Systems: TN-S
 Mode of Protection: L - PE, N - PE
 Surge Ratings: $I_{imp} = 25 \text{ kA} (10/350 \mu\text{s})$
 $I_n = 25 \text{ kA} (8/20 \mu\text{s})$
 IEC/EN Category: Class I, II / Type 1, 2
 Protective Elements: High Energy MOV
 Housing: Compact Design
 Compliance: IEC 61643-11:2011
 EN 61643-11:2012

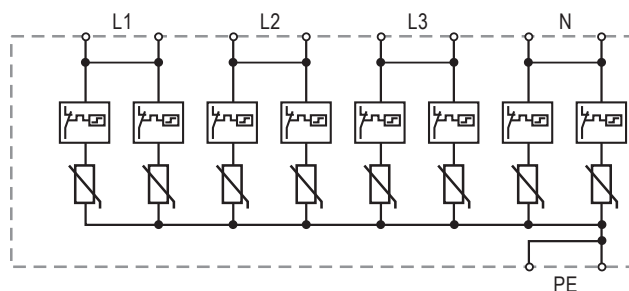
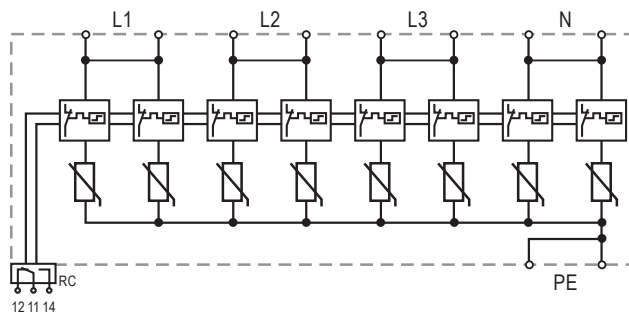
Technical Data

ProBloc B(R) 100/xxx (4+0)		150	275	320	440
Electrical					
Nominal AC Voltage (50/60 Hz)	U_o	120V	230V	230V	230V
Maximum Continuous Operating Voltage (AC)	U_c	150V	275V	320V	440V
Nominal Discharge Current (8/20 μs)	I_n		25 kA		
Maximum Discharge Current (8/20 μs)	I_{max}		100 kA		
Impulse Discharge Current (10/350 μs)	I_{imp}		25 kA		
Total Discharge Current (10/350 μs)	I_{total}		100 kA		
Specific Energy	W/R		156 kJ/ Ω		
Charge	Q		12.5 As		
Voltage Protection Level	U_p	< 1.0kV	< 1.5kV	< 1.5kV	< 1.9kV
Response Time	t_A		< 25 ns		
Back-Up Fuse (if mains > 250 A)			250 A gG		
Short-Circuit Current Rating (AC)	I_{SCCR}		50 kA		
TOV withstand 5s	U_T	174V	335V	335V	585V
Number of Ports			1		
Mechanical & Environmental					
Temperature Range	T_a	-40 °F to +185 °F [-40 °C to +85 °C]			
Permissible Humidity	RH	5%...95%			
Terminal Screw Torque	M_{max}	26.5 lbf-in [3.0 Nm]			
Conductor Cross Section (max)		2 AWG (Solid, Stranded) / 4 AWG (Flexible) 35mm ² (Solid, Stranded) / 25mm ² (Flexible)			
Mounting		35 mm DIN Rail, EN 60715			
Degree of Protection		IP 20			
Housing Material		Thermoplastic: Extinguishing Degree UL 94 V-0			
Thermal Protection		Yes			
Fault Indication		Red Flag			
Remote Contacts (RC)		Optional			
RC Switching Capacity		AC: 250V/0.5 A; 125V/3 A			
RC Terminal Cross Section (max)		1.5mm ² (Solid) / 16 AWG (Solid)			
RC Terminal Screw Torque	M_{max}	2.2 lbf-in [0.25 Nm]			
Order Information					
Order Code		150	275	320	440
ProBloc B 100/xxx (4+0)		56.0592	56.0594	56.0596	56.0600
ProBloc BR 100/xxx (4+0) (with remote contacts)		56.0593	56.0595	56.0597	56.0601

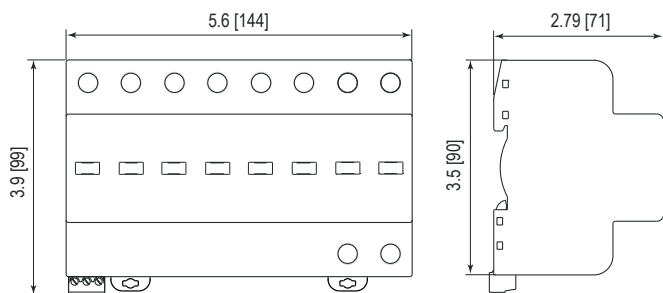
Internal Configuration

Legend

- L Line
- N Neutral
- PE Protective Earth
- RC Remote Contacts Optional



Dimensions & Packaging [mm]



Dimensions & Packaging

		150	275	320	440
ProBloc B 100/xxx (4+0)					
Single Unit Weight	pounds	2.028	2.469	2.469	2.965
	grams	920	1120	1120	1345
Single Unit DIN 43880 Dimension		8 TE			
Packaging Dimensions (H×W×L)		4.2 × 3 × 5.8" [109 × 77 × 148 mm]			
Minimum Order Quantity		2 Units			
ProBloc BR 100/xxx (4+0)					
Single Unit Weight	pounds	2.182	2.623	2.623	2.998
	grams	990	1190	1190	1360
Single Unit DIN 43880 Dimension		8 TE			
Packaging Dimensions (H×W×L)		4.2 × 3 × 5.8" [109 × 77 × 148 mm]			
Minimum Order Quantity		2 Units			

inches
[mm]

Information contained in this document is subject to change at any time without notice.

